



DESIGNED BY  
OISIDE DESIGN STUDIO

# OICOOK

*Enjoy the outdoors with all the  
comforts of an indoor kitchen.*





OiCook is a modular collection of outdoor kitchens whose design is inspired by the look and finish of indoors kitchens. A design that takes its cues from current trends in the layout of contemporary outside spaces, that recreates a visual and material continuity between inside and outside. The finishes and worktop, in a porcelain material help to forge this singular aesthetic while embellishing the outdoor spaces used for cooking.

The OiCook outdoor kitchens provide two fully equipped options. On the one hand the One Side series is a conventional wall supported installation. And the other, the Island series allows for a free standing installation with a cantilevered worktop, like a bar that works really well for social gatherings.







Both options share the same modules and accessories, providing the same configurations either against a wall or free standing.

**Furniture for future.**





The range of OiCook outdoor kitchens includes four types of modules: two for storage (one with two compartments and another with two drawers and a compartment), an under sink module with a drawer and a compartment, module for cooking (The Cooking accessories available are Barbecue, Teppanyaky and Ceramic Stove) washing up sink, tap and 132 Lt capacity fridge with integrated panel.

All of which allows for multiple configurations, depending on the layout of the outdoor space and individual requirements.



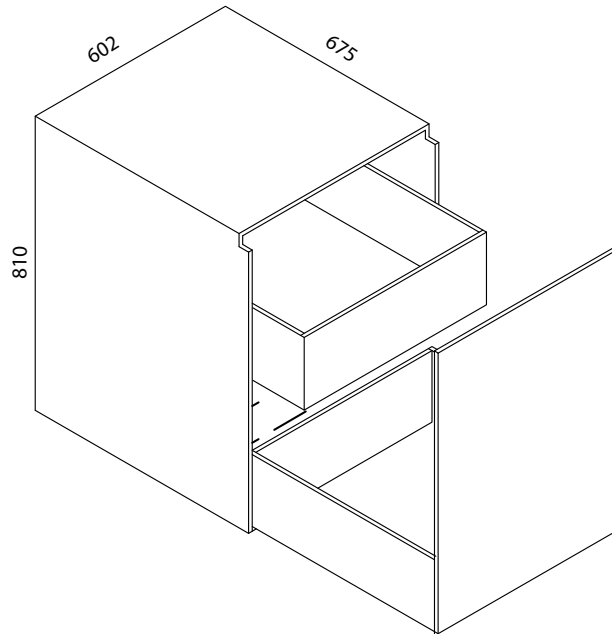


**Furniture for future.**



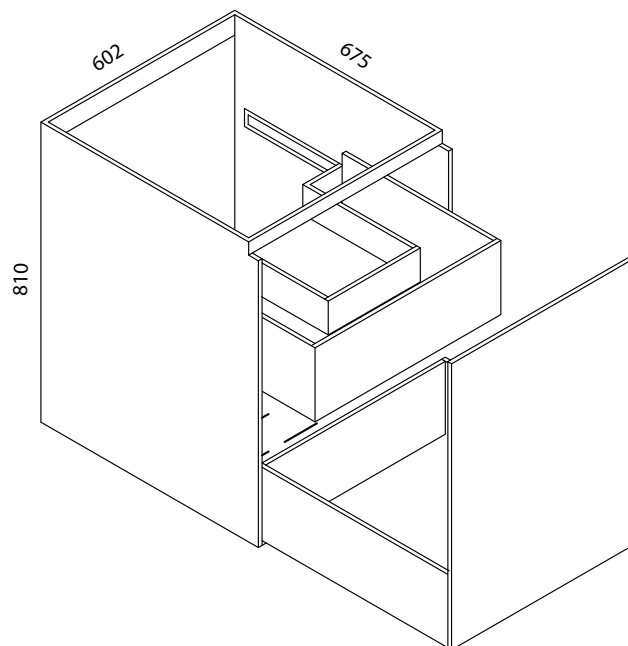
# Module A

Storage I



# Module H

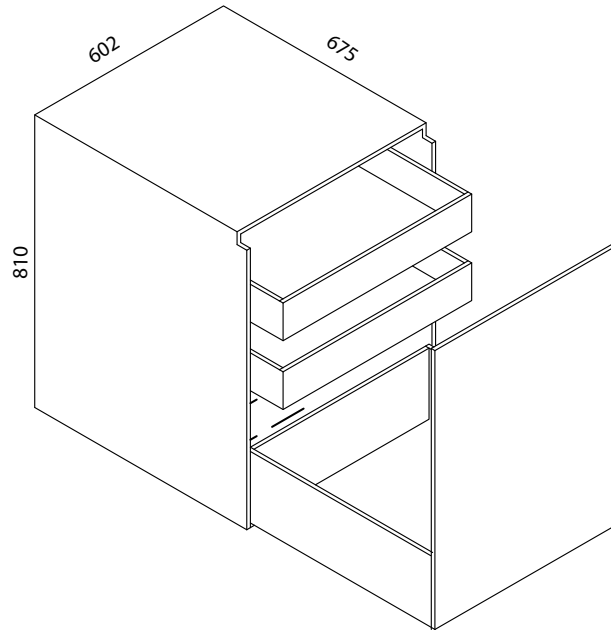
SinK





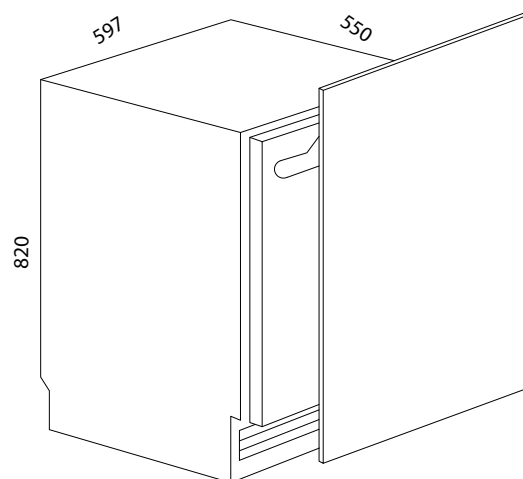
# Module C

Storage II



# Module N

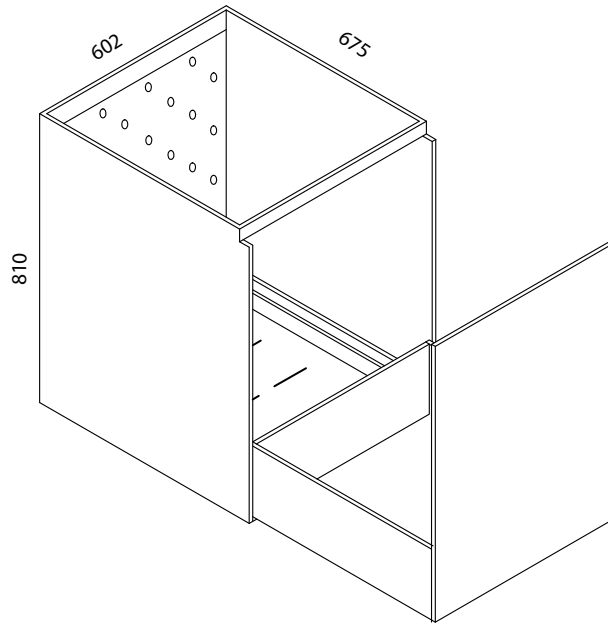
Fridge





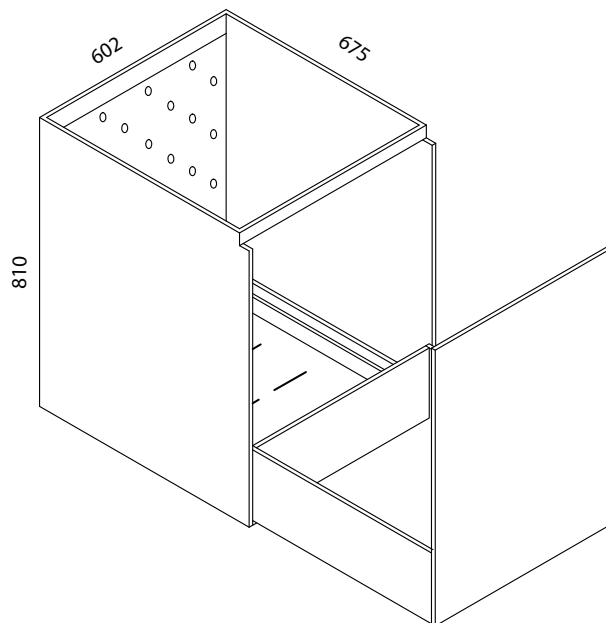
# Module E

Ceramic Stove



# Module F

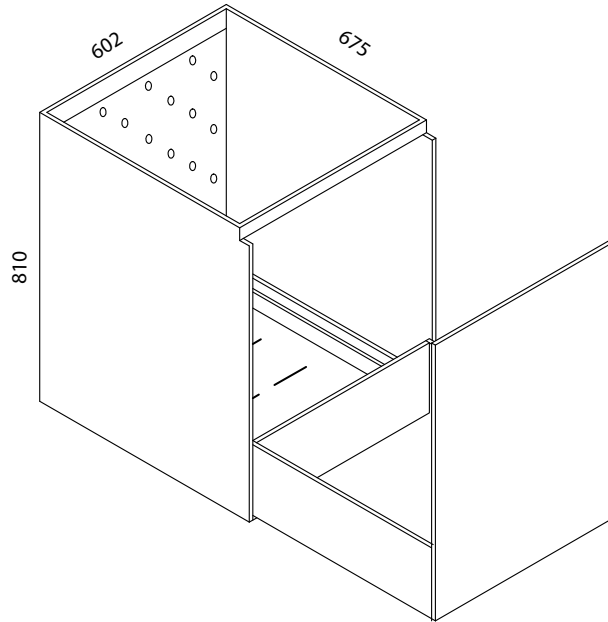
Teppanyaki





# Module G

Barbecue





COOKING MODULE



Barbacue

Barbecue with electric element

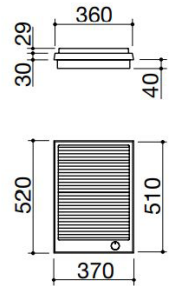
Lava stone included

settings 0 to 9

Maximun absorbed power: 2,4kW

Equipment: Schuko mains plug.

Waterproof Cover



Waterproof Cover.



Teppanyaki

2 cooking zones

Electronic temperature control 0 °C to 250 °C

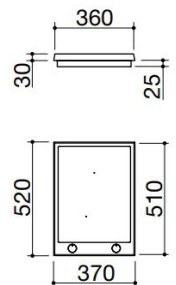
Hotplate activation indicator and thermostat

Maximun absorbed power: 3kW

Equipment: Schuko mains plug.

Waterproof Cover

Thalas Chopping Board.



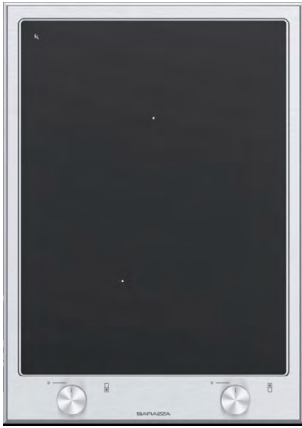
Solid oak wood Thalas Chopping Board.



Waterproof Cover.



## Ceramic Stove



Induction Plaque

Minimum pan diameter: Ø90mm

Adjustable power levels: 1,6 - 2,0 - 2,4 - 2,8 - 3,2 - 3,7 kW

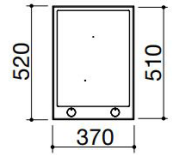
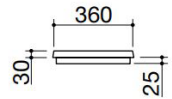
Maximum absorbed power: 3,7kW

Equipment: Schuko mains plug.

Waterproof Cover

Thalys Chopping Board

Functions: Power management, Booster, Selective pan detection, Keep warm, automatic preheating, electronic child safety lock, residual heat indicator, safety switch-off.

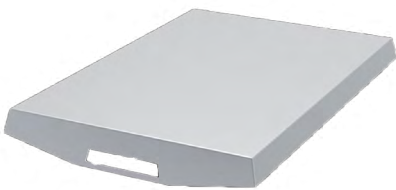


Solid oak wood Thalys Chopping Board.



Waterproof Cover.

## Multi-purpose cover

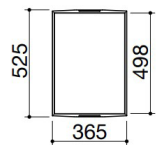
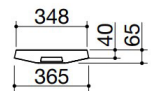


Extra thick AISI 316 Stainless Steel

Dual Function: cover and serving tray

Compatible with all kitchen modules

Compatible with waterproof





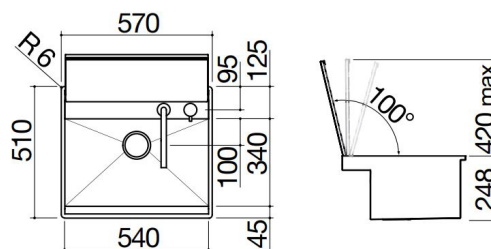
SINK + FAUCET

Snik

54x34x18,3 cm Bowl

Balanced, removable, AISI 316 stainless steel Cover with manual opening

Equipment: 3" 1/2 basket strainer waste, B overflow, Thalys telescopic mixer tap with remote contro.



SINK GRATE



Black HPL support grid for bowl botton

Grid dimensions 33,8x38,3 cm

RECYCLING MODULE

# RECYCLING

All OiCook models are equipped with the selection of buckets for comfortable and ergonomic waste separation. They are a functional solution that contributes to respecting the environment.



**Furniture for future.**



FRIDGE MODULE Liebherr Premium

# REFRIGERATION

Integrated fridge with a total capacity of 132 litres. A space full of possibilities so you can store all your purchases and have them close at hand during your preparations.



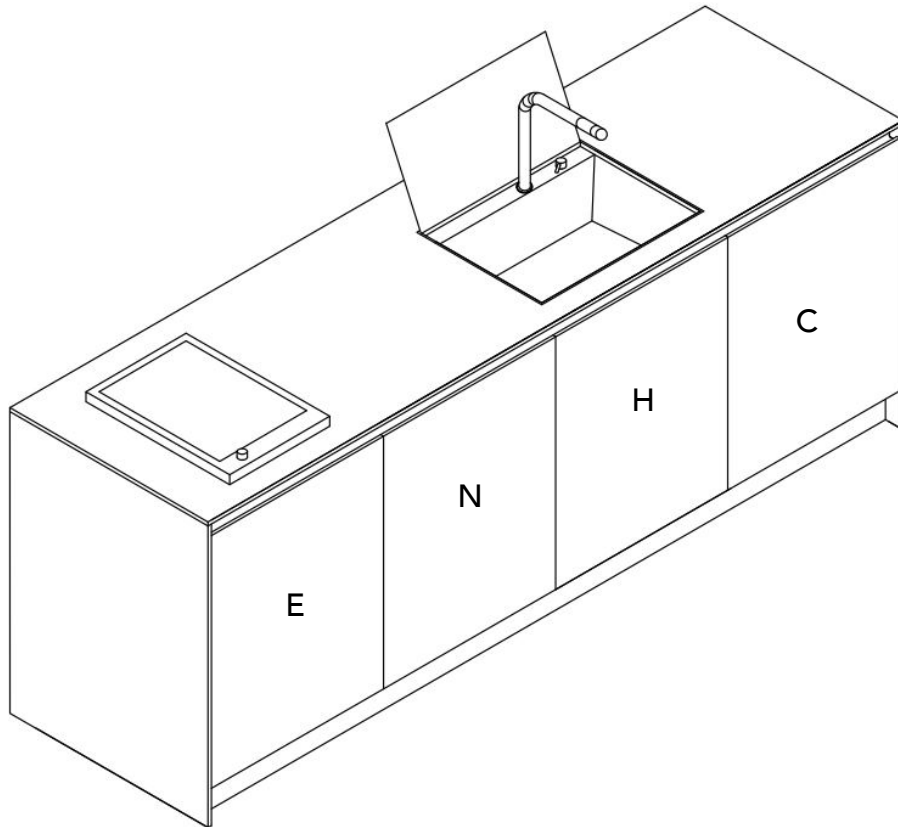
Although OiCook is a modular kitchen, OiSide nevertheless provides two set compositions of four units that integrate all modular options and accessories (the One Side and Island).

# ONESIDE SERIES

This series is characterized by its design attached to wall being the MDI faces visible on the sides, the front and the top.



# ONESIDE

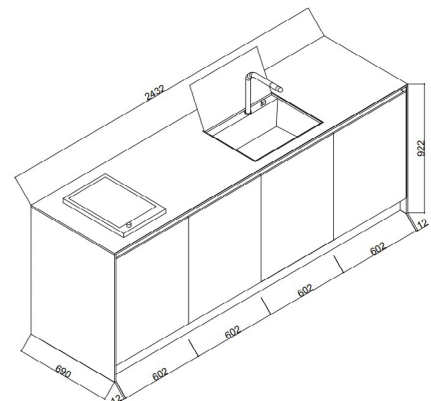


C - SLIDING DOOR + 2 INTERIOR DRAWERS

E - SLIDING DOOR + CERAMIC STOVE  
+ INTERIOR DRAWERS

H - SLIDING DOOR +  
RECYCLING BINS + SPONGE HOLDER DRAWER  
+ SINK + FAUCET

N - INTEGRATED FRIDGE

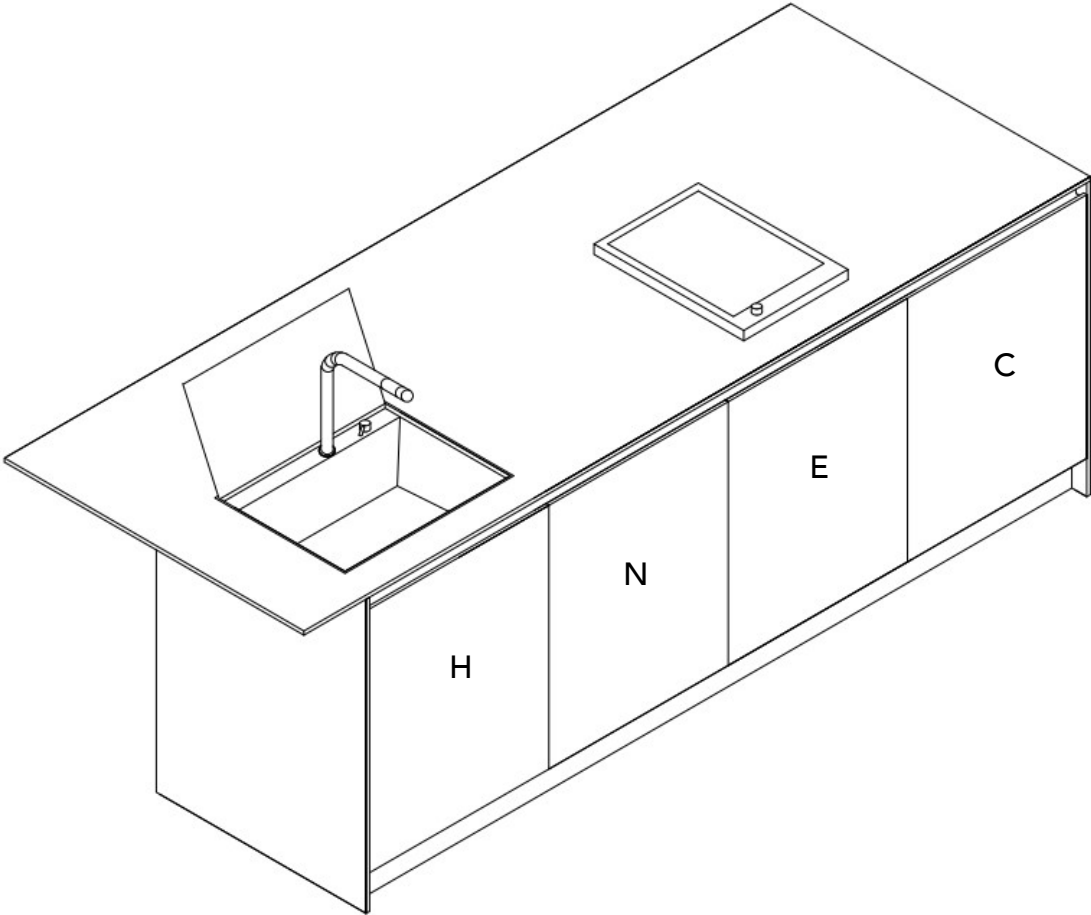




# ISLAND SERIES

This series is characterized by its design totally independent being the faces of MDI visible on the sides, the two front and on the top.

# ISLAND

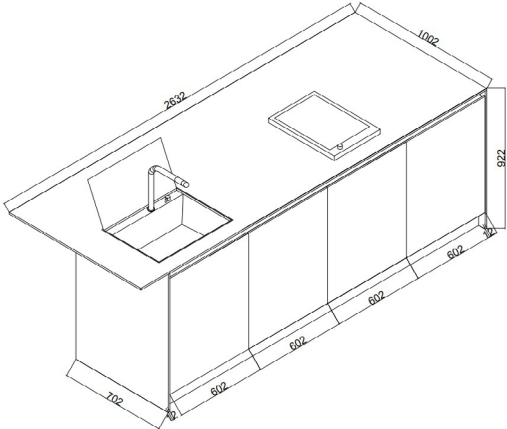


C - SLIDING DOOR + 2 INTERIOR DRAWERS

E - SLIDING DOOR + CERAMIC STOVE  
+ INTERIOR DRAWERS

H - SLIDING DOOR +  
RECYCLING BINS + SPONGE HOLDER DRAWER  
+ SINK + FAUCET

N - INTEGRATED FRIDGE





TECHNICAL  
FEATURES

# MDI - MINERAL. DESIGN. INNOVATION.

The structure of the modules is made of aluminium, while its panels and worktop are made of a porcelain material (MDI) available in different finishes, highly resistant both to inclement weather from the outside and to cuts, stains and splashes from cooking.

## STONE

---



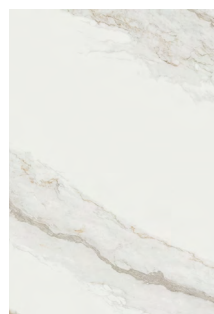
Moon



Sand



Cement



Atenas



Metallo

## ALUMINIUM

### STRUCTURE

---



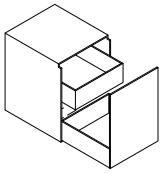
Aluminio



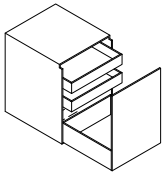




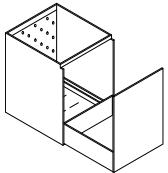




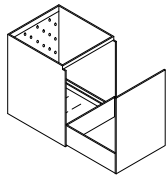
150984 Module A Oneside (Storage I) 810 x 602 x 675 ± 22 1 820 x 612 x 685 0,4 ± 22



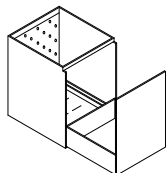
150986 Module C Oneside (Storage II) 810 x 602 x 675 ± 22 1 820 x 612 x 685 0,4 ± 22



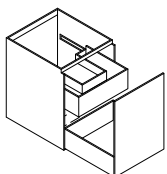
150975 Module E Oneside (Ceramic Stove) 810 x 602 x 675 ± 22 1 820 x 612 x 685 0,4 ± 22



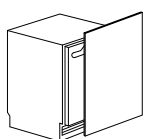
150976 Module F Oneside (Teppanyaki) 810 x 602 x 675 ± 22 1 820 x 612 x 685 0,4 ± 22



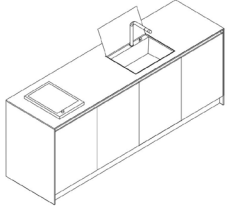
150977 Module G Oneside (Barbecue) 810 x 602 x 675 ± 22 1 820 x 612 x 685 0,4 ± 22



150978 Module H Oneside (Snik) + Snik + Faucet 810 x 602 x 675 ± 22 1 820 x 612 x 685 0,4 ± 22



150998 Module N Oneside (Fridge) 597 x 820 x 550 25 1 607 x 830 x 560 0,3 25



150979

Oi Oneside

2432 x 1002 x 922

±150

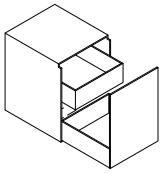
-

-

-

-





150984

Module A Island  
(Storage I)

810 x 602 x 675

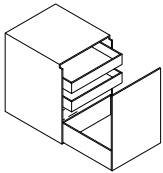
± 22

1

820 x 612 x 685

0,4

± 22



150986

Module C Island  
(Storage II)

810 x 602 x 675

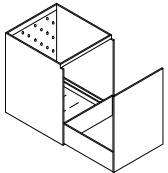
± 22

1

820 x 612 x 685

0,4

± 22



150971

Module E Island  
(Ceramic Stove)

810 x 602 x 675

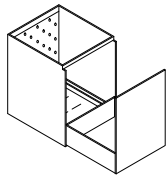
± 22

1

820 x 612 x 685

0,4

± 22



150972

Module F Island  
(Teppanyaki)

810 x 602 x 675

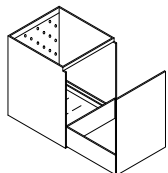
± 22

1

820 x 612 x 685

0,4

± 22



150973

Module G Island  
(Barbecue)

810 x 602 x 675

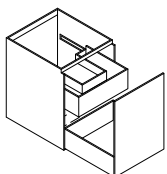
± 22

1

820 x 612 x 685

0,4

± 22



150974

Module H Island  
(snik)  
+ Snik  
+ Faucet

810 x 602 x 675

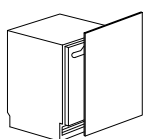
± 22

1

820 x 612 x 685

0,4

± 22



150998

Module N Island  
(Fridge)

597 x 820 x 550

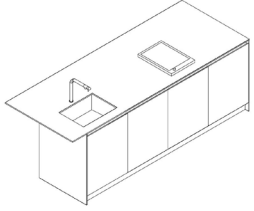
25

1

607 x 830 x 560

0,3

25



150981

Oi Island

2432 x 1002 x 922

±150

-

-

-

-



## DETAILS

The materials used for these models together with the accessories for the outdoor kitchens collection have been carefully selected not only to evoke the aesthetic of an indoor kitchen but also to provide resistance to the elements. In addition all materials conform to sustainable criteria and are environmentally friendly given their extreme strength, and are easy to recycle.



The front doors are removable by means of a system of guides, the best option as there are no hinges totally suitable for outdoor use.





In certain areas, the modules incorporate perforations to prevent condensation and to ventilate.



The stone maintains the continuity of the grain even on the edges of the material. In this way visual intermittence and color changes on the same material are avoided.



## MORE ABOUT OISIDE DESIGN STUDIO

OISIDE develops its collections in collaboration with talented designers and architects, with the help of its design team. Innovative design both aesthetically and technically, with a sophisticated and timeless look combined with ingenious details. This same team is the same that carries out the research processes for new systems and finishes to improve the resistance of OISIDE materials and upholstery.



### ABOUT OISIDE

OISIDE is a Spanish firm specialized in the design and manufacture of outdoor furniture for contract and residential projects. With more than 20 years of experience behind it, OISIDE is a company with a significant international presence that works with architects and designers from all over the world. The production of its collections is carried out entirely in Spain through expert manufacturing of the highest quality that allows OISIDE to offer a high degree of customization through its designs.